



# POWER TO CONQUER

Quality Skid Steer Loaders



## VIKING TRADESMAN PERFORMANCE

### HYDRAULICS

Pump Sizes	12cc
Hydraulic Pressure	3400psi
Hydraulic Capacity	50 litres
Max Travel Speed	8.5km/h
Rate Lift Capacity	400kg swl
Wheel Motors	4 x 470cu

### ENGINE

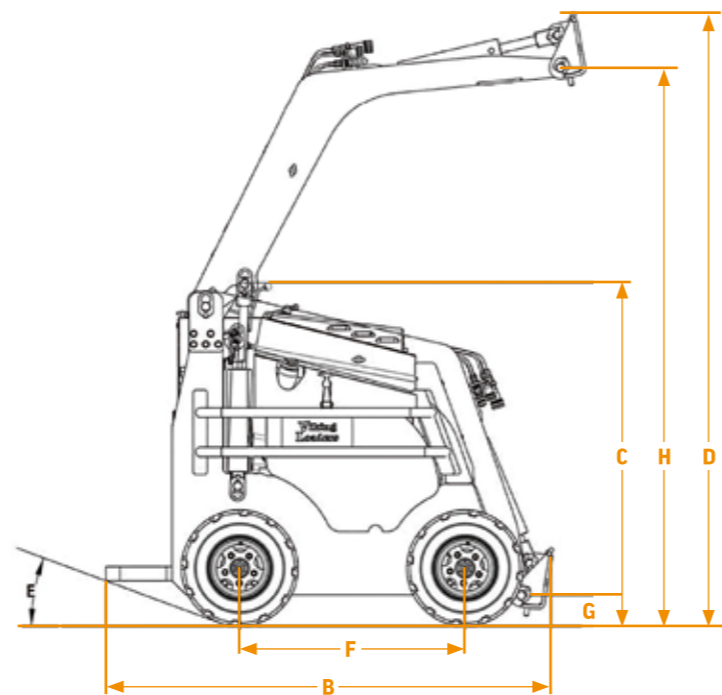
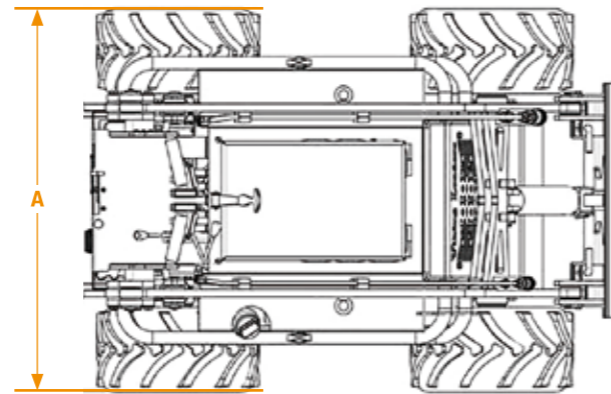
Diesel	D902 Kubota 25hp
Fuel Tank	25 litre

### DIMENSIONAL SPECIFICATIONS

Overall Width (A)	950mm with 8.5" wheel 740mm with 8.5" (skinny)
Overall Length (B)	1600mm
Overall Height (C)	985mm
Max. Operating Height (D)	2165mm
Angle of Departure (E)	20 degrees
Wheel Base (F)	800mm
Ground Clearance (G)	120mm (8" tyre)
Max. Pin Height (H)	1990mm
Dump Height - Std Bucket	1940mm
Dump Height (4 IN 1 Bucket)	1900mm
Height to Hinge Pin	2000mm
Tyre Size	Tyre size standard 18" x 8.5" x 8" or 19" x 8" x 10" big wheel (optional)
Filtration	Replaceable cartridge
Machine Mass	825kg wet
Angle alarm Sensor	Optional
Security Immobiliser	Optional

### WARRANTY

Engine	24 months or 2000hrs
Product	2 years or 1000hrs



# POWER TO CONQUER

Quality Skid Steer Loaders



**TRADESMAN**

POWERED BY



Viking Mini Loaders Pty. Ltd.  
 Factory 25/172 Canterbury Road,  
 Bayswater North Victoria 3153  
 T 03 9720 2264  
 F 03 9720 2265  
 E sales@vikingminiloaders.com.au  
[vikingminiloaders.com.au](http://vikingminiloaders.com.au)

The Viking Tradesman is designed to give operators the power of Diesel to be more productive. Viking Loaders achieve this by using good ergonomic mechanical design, combined with innovative hydraulic design and world class components.

# TRADESMAN

## CHASSIS

- + The narrowest contractors mini skid steer loader - 950mm wide standard or 740mm wide, fitted with skinny wheels
- + 16mm fabricated steel construction
- + 20mm fabricated arms
- + 8mm belly pan
- + 1.9mm dump height
- + Low centre of gravity
- + Ergonomically designed control layout
- + Large operator platform - very spacious

## HYDRAULICS

- + Innovative high performance, Industrial hydraulic system
- + Very efficient high flow design
- + Fully integrated one piece control valve
- + Variable speed trencher control valve
- + Single high pressure pump
- + Twin- High flow & low flow remote auxiliary ports
- + 500 hr hyd service interval
- + Individual wheel motor access
- + Large 5kw thermo hydraulic cooler with fan

## POST HOLE DIGGER



## ENGINE

- + Kubota D902 Diesel Tier 3 application tested and international warranty approval
- + Easy access for maintenance
- + Rigid crankshaft centreline engine mount design - low vibration and component fatigue

## COMPONENTS

- + Cartridge Airfilter
- + Billet Steel Hubs
- + Hinged Bonnet for easy access
- + Visual Warning Lights
- + Anti Vibration Exhaust Mount Eliminator
- + Radiator Overflow Bottle Return System

## ATTACHMENTS

- + Trencher
- + Stump Grinder
- + 4 IN 1 Bucket
- + Grapple
- + Power Rake
- + Sift Bucket
- + Back Fill Blade
- + Bucket Broom
- + Post Hole Digger



VIKING MINI LOADER  
TRADESMAN  
CONTROL PANEL